

Features

- 25A switching capability
- Contact arrangement:1A
- Plastic sealed type and Flux proofed type
- UL insulation system:Class F
- Environment-friendly product (RoHS compliant)
- Outline Dimensions:(30.1×15.7×23.3)mm
- Main application:Home appliance, New energy and PV industry



CHARACTERISTICS

Specifications	Item		
Contact Data	Contact arrangement		1A
	Contact resistance(initial)		≤100mΩ(6VDC 1A)
	Contact material		AgSnO ₂
Rated value	Rated load(Resistance load)		25A 250VAC/30VDC 20A 250VAC/30VDC
	Max.switching voltage		277VAC/30VDC
	Max.switching current		32A
	Max.switching capacity		6250VA/750W
	Min.allowing load		5VDC 100mA
Electrical performance	Insulation resistance(initial)		1000MΩ(500VDC)
	Dielectric strength (initial)	Between open contacts	1000VAC,1min
		Between coil&contacts	4500VAC,1min
	Operate time		≤20ms
	Release time		≤10ms
Mechanical performance	Shock resistance	Functional	98m/s ² (10g)
		Destructive	980m/s ² (100g)
	Vibration resistance		10Hz~55Hz 1.5mm DA
Endurance	Mechanical		2×10 ⁶ ops
	Electrical(Room temperature)		25A 250VAC/30VDC 5×10 ⁴ ops(ON/OFF=1s/9s) 2HP 250VAC 5×10 ⁴ ops(ON/OFF=1s/9s)
Operate condition	Ambient temperature		-40℃~85℃
	Humidity		5% to 90%
Termination			PCB
Unit weight			Approx.23g
Construction			Plastic sealed,Flux proofed

COIL DATA(23°C)

Nominal Voltage	Operate Voltage VDC	Release Voltage VDC	Rated Current ($\pm 10\%$)	Coil Resistance ($\pm 10\%$)	Nominal Power	Max Voltage
DC 5V	≤ 3.75	≥ 0.25	180mA	27.8 Ω	900mW	DC 6.5V
DC 6V	≤ 4.50	≥ 0.30	150mA	40 Ω		DC 7.8V
DC 9V	≤ 6.75	≥ 0.45	100mA	90 Ω		DC 11.7V
DC 12V	≤ 9.00	≥ 0.60	75mA	160 Ω		DC 15.6V
DC 15V	≤ 11.25	≥ 0.75	60mA	250 Ω		DC 19.5V
DC 18V	≤ 13.50	≥ 0.90	50mA	360 Ω		DC 23.4V
DC 24V	≤ 18.00	≥ 1.20	37.5mA	640 Ω		DC 31.2V

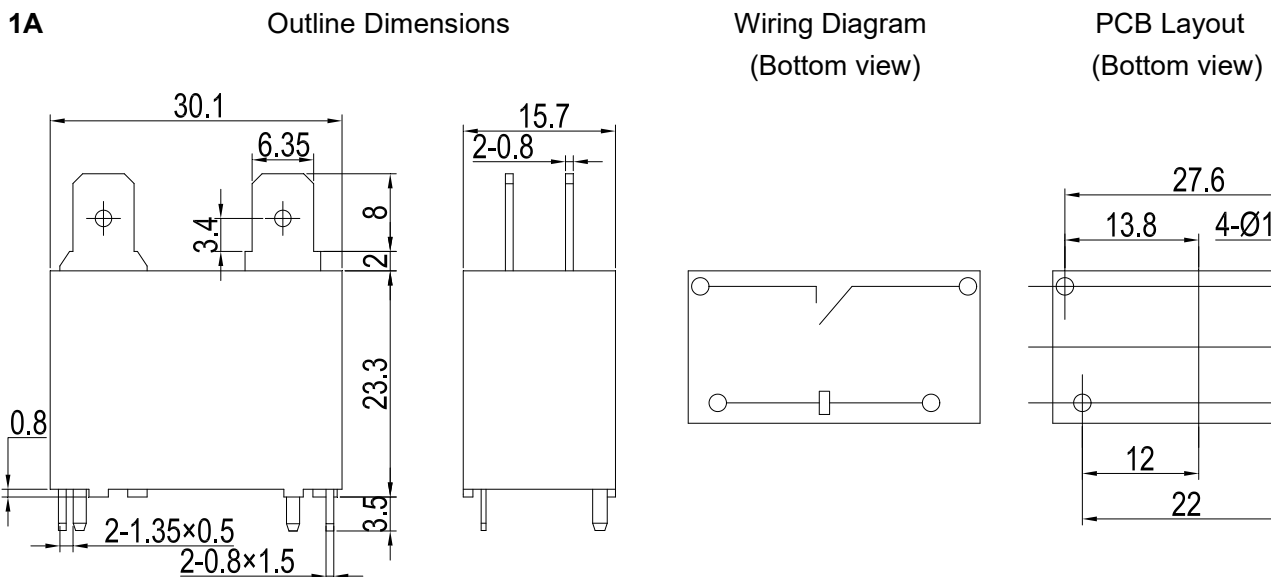
ORDERING INFORMATION

W20TP -1A S T -XXX DC12V

- ① Type
- ② Contact arrangement: 1A=1 open contacts
- ③ Construction(1): Nil=Flux proofed, S=Plastic sealed
- ④ Contact material: T=AgSnO₂
- ⑤ Customer special code: numbers or letters denote customer's requirements
- ⑥ Coil specification: DC5/6/9/12/15/18/24V

- (1) When used in clean environment(excluding H₂S,SO₂,NO₂,dust and other pollutants), it is recommended to choose the Flux proofed type;When used in unclean environment(contain H₂S,SO₂,NO₂,dust and other pollutants), it is recommended to choose the Plastic sealed.

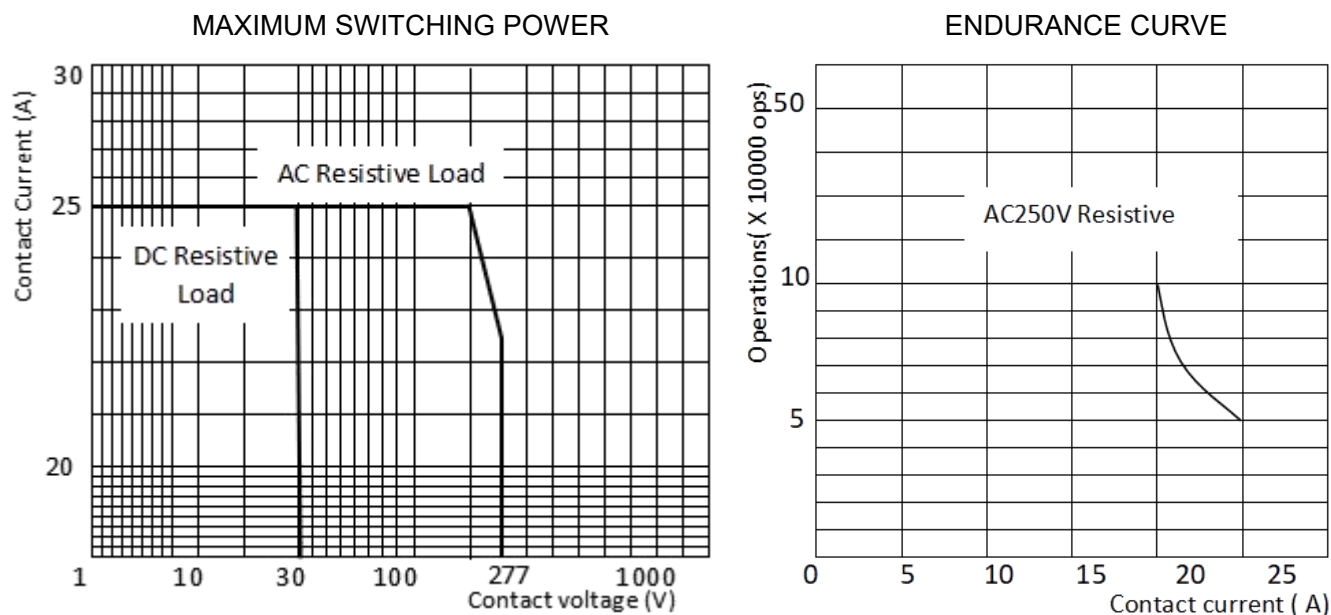
OUTLINE DIMENSIONS,WIRING DIAGRAM AND PC BOARD LAYOUT(Unit:mm)



Remark: (1) In case of no tolerance shown in outline dimension:outline dimension \leq 1mm,tolerance should be \pm 0.2mm;outline dimension $>$ 1mm and $<$ 5mm,tolerance should be \pm 0.3mm;outline dimension \geq 5mm,tolerance should be \pm 0.5mm.

(2) The tolerance without indicating for PCB layout is always \pm 0.1mm.

■ PERFORMANCE CURVES



■ NOTICE

- ① In order to maintain the initial performance parameters of the relay, please be careful not to drop the product;
- ② The specification is for reference only.Specifications subject to change without notice.